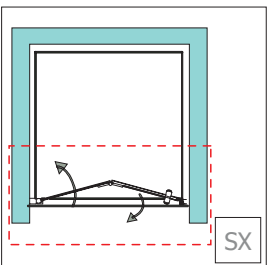


Trattamento protezione vetro
Shower Glass Protect
Glasschutzbehandlung
Traitement protection verre



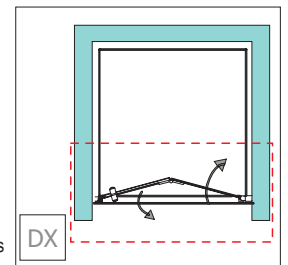
| ESTENSIBILITA': | EXTENSIBILITY: | DEHNBARKEIT: | EXTENSIBILITE: |
|------------------------------------|------------------------------------|------------------------------------|------------------------------------|
| <input type="checkbox"/> 67,5-69,5 | <input type="checkbox"/> 72,5-74,5 | <input type="checkbox"/> 77,5-79,5 | <input type="checkbox"/> 82,5-84,5 |
| <input type="checkbox"/> F.M. | | | <input type="checkbox"/> 87,5-89,5 |

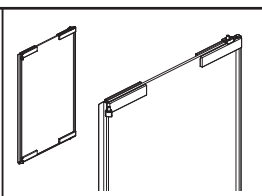
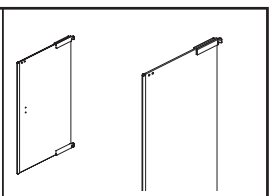
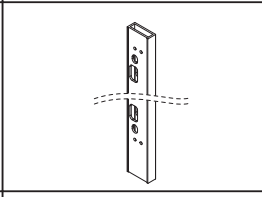
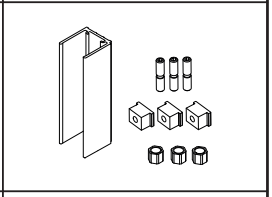
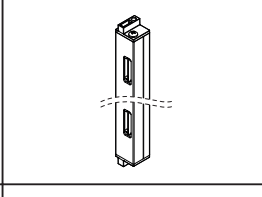
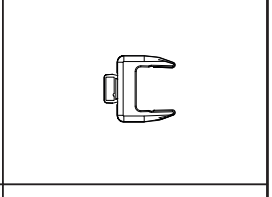
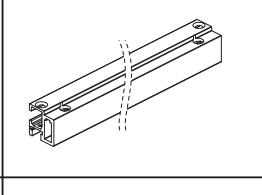
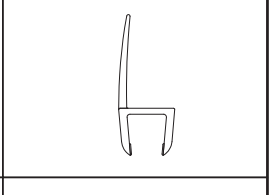
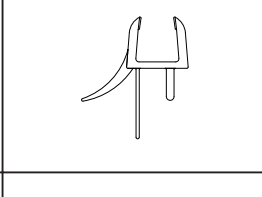
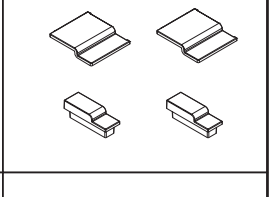
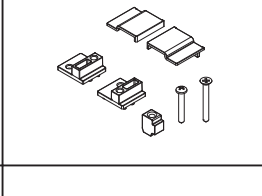
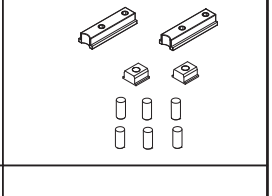
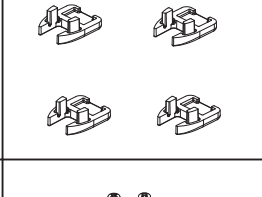
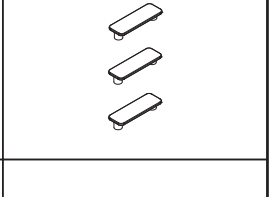
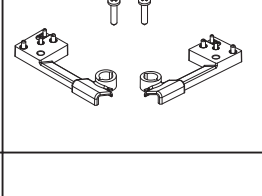
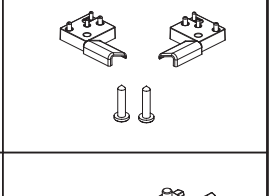
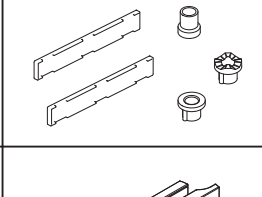
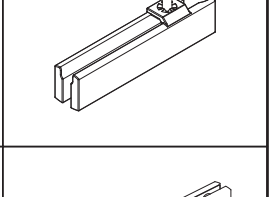
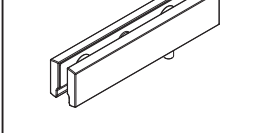
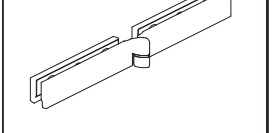
| PROFILO: | PROFILE: | PROFIL: | PROFIL: |
|--|--|--|---------|
| <input type="checkbox"/> Argento Luc/Silver Brill/Silber Glanz/Argent brillant | <input type="checkbox"/> Alublack | <input type="checkbox"/> RAL opaco/mat/matt-lackiert/mat | |
| <input type="checkbox"/> Metal | <input type="checkbox"/> Metal Brushed | | |

| VETRO: | GLASS: | GLAS: | VERRE: |
|---|---|-------|--------|
| <input type="checkbox"/> Trasparente/Transparent | <input type="checkbox"/> Extra light | | |
| <input type="checkbox"/> Piumato/Piumate | <input type="checkbox"/> Vertical Plissé | | |
| <input type="checkbox"/> Grigio Europa/Europe grey/Europa grau/gris europe | <input type="checkbox"/> Bronzo Glam/Bronze Glam | | |
| <input type="checkbox"/> Specchiato/Mirror effect/Verspiegelter Glas/Effet miroir | <input type="checkbox"/> Satinato/Satin/Satinert/Satiné | | |
| <input type="checkbox"/> Fascia/Band glass/Glas Band/Verre Bonde | <input type="checkbox"/> Serigrafato 3 fasce/Serigraphy 3-bang/Siebdruck 3-Bänder/3 bandes dépolies | | |

COD. RA900374

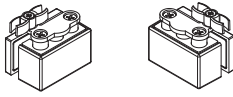
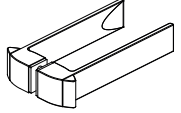
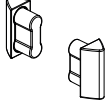

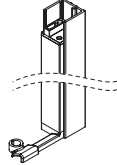
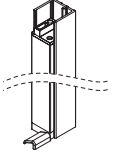
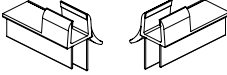
SF Sacchetto Ferramenta
Hardware pack
Rauchchrom
Sachet Quincailleries

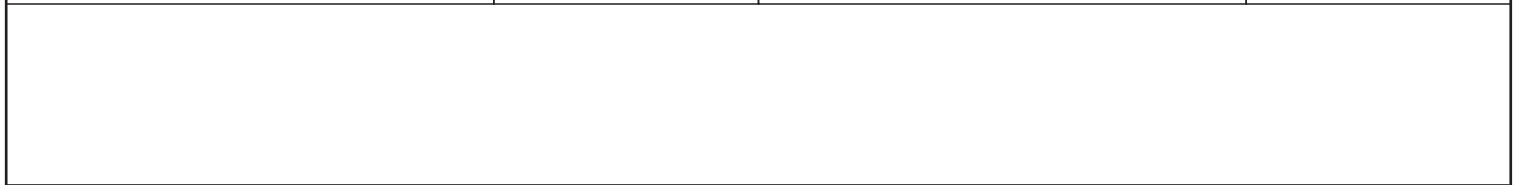


| | |
|--|--|
| <p>R01 COD. RA300390</p> <ul style="list-style-type: none"> ANTA PIEGHEVOLE FOLDING DOOR FALTTÜR PORTE PLIANTE  | <p>R02 COD. RA300392</p> <ul style="list-style-type: none"> ANTA PIEGHEVOLE FOLDING DOOR FALTTÜR PORTE PLIANTE  |
| <p>R03 COD. RA250525</p> <ul style="list-style-type: none"> PROFILO COMPENSATORE COMPENSATOR PROFILE AUSGLEICHSPROFIL PROFIL DE COMPENSATION  | <p>R04 COD. RA250526</p> <ul style="list-style-type: none"> KIT PROFILO COMPENSATORE COMPENSATOR PROFILE KIT AUSGLEICHSPROFIL PROFIL DE COMPENSATION  |
| <p>R05 COD. RA250527</p> <ul style="list-style-type: none"> PROFILO MONTANTE POST PROFILE FESTPROFIL PROFIL MONTANT  | <p>R06 COD. RA250523</p> <ul style="list-style-type: none"> KIT PROFILO CALAMITATO PROFILE WITH MAGNET KIT PROFIL MIT MAGNET KIT KIT PROFIL AIMANTE  |
| <p>R07 COD. RA250533</p> <ul style="list-style-type: none"> KIT PROFILO BASE SUPERIORE TOP BASE PROFILE KIT OBERES PROFIL KIT PROFIL BASE SUPERIEURE  | <p>R08 COD. RA200283</p> <ul style="list-style-type: none"> PROFILO PVC PROFILE PVC PROFIL AUS PVC PROFIL PVC  |
| <p>R09 COD. RA200177</p> <ul style="list-style-type: none"> PROFILO PVC PROFILE PVC PROFIL AUS PVC PROFIL PVC  | <p>R10 COD. RA400249</p> <ul style="list-style-type: none"> KIT TAPPI PROFILO COVER KIT STOPF KIT KIT CACHES PROFIL  |
| <p>R11 COD. RA400257</p> <ul style="list-style-type: none"> KIT TAPPI PROFILO COVER KIT STOPF KIT KIT CACHES PROFIL  | <p>R12 COD. RA900356</p> <ul style="list-style-type: none"> KIT RIFERIMENTO PERNO PIVOT-CENTRING-KIT PIVOT-ZENTRIERUNGSKIT KIT CENTRAGE PIVOT  |
| <p>R13 COD. RA400258</p> <ul style="list-style-type: none"> KIT TAPPI PROFILO COVER KIT STOPF KIT KIT CACHES PROFIL  | <p>R14 COD. RA400260</p> <ul style="list-style-type: none"> KIT TAPPI PROFILO COVER KIT STOPF KIT KIT CACHES PROFIL  |
| <p>R15 COD. RA400261</p> <ul style="list-style-type: none"> KIT BASSETTE INFERIORI BOTTOM PLUGS KIT UNTERES STOPFEN-KIT KIT CACHES INFÉRIEURES  | <p>R16 COD. RA400267</p> <ul style="list-style-type: none"> KIT TAPPI PROFILO COVER KIT STOPF KIT KIT CACHES PROFIL  |
| <p>R17 COD. RA400262</p> <ul style="list-style-type: none"> KIT COVER E BOCCOLE COVER AND BUSHING KIT SET-COVER UND ZYLINDRISCHER RING KIT CACHE ET DOUILLE CYLINDRIQUE  | <p>R18 COD. RA900357</p> <ul style="list-style-type: none"> KIT CERNIERA SUPERIORE UPPER HINGE KIT SET OBERE SCHARNIERE KIT CHARNIÈRE SUPÉRIEURE  |
| <p>R19 COD. RA900358</p> <ul style="list-style-type: none"> KIT CERNIERA INFERIORE BOTTOM HINGE KIT SET UNTERE SCHARNIERE KIT CHARNIÈRE INFÉRIEURE  | <p>R20 COD. RA900364</p> <ul style="list-style-type: none"> SET CERNIERA PLUS HINGE DOOR PLUS SET SCHARNIER DER TÜR PLUS SET SET CHARNIÈRE PORTE PLUS  |





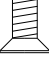

Specificare sempre l'estensibilità, la finitura del profilo, del vetro ed il verso della parete doccia
 Please specify always extensibility, profile colour, glass type and opening version of the shower cubicle (R or L)
 Verstellbereich, Profilfarbe, Glasvariante und Anschlag der Duschkabine (RE o. LI) immer angeben
 Toujours spécifier l'extensibilité, la finition du profil, la finition du verre et la version de la paroi de douche (droite ou gauche)

| | | | |
|---|---|--|---|
| <p>R21 COD. RA400266</p> <ul style="list-style-type: none"> KIT SGANCIO ANTA DOOR GLASS RELEASE KIT SCHNELLEN AUSHÄNGEN DER TÜR KIT DE DÉCROCHAGE PORTE |  | <p>R22 COD. RA100038</p> <ul style="list-style-type: none"> SET MANIGLIA N HANDLES SET N HANDGRIFF SET N KIT POIGNÉE N |  |
| <p>R23 COD. RA400263</p> <ul style="list-style-type: none"> KIT COVER MANIGLIA HANDLE-COVER-KIT GRIFF-ABDECKUNG-SET KIT CACHE POIGNEE |  | <p>R24 COD. RA350038</p> <ul style="list-style-type: none"> BORDINO SALVAGOCCIA DRIP CATCHER EDGE TROPFENFÄNGER PROFIL BAGUETTE D'ETANCHEITE |  |
| <p>R25 COD. RA250538</p> <ul style="list-style-type: none"> KIT PROFILI A MURO WALL PROFILES KIT SET WANDPROFILE KIT PROFILÉS MURAUX | <div style="display: flex; flex-direction: column; align-items: center;"> <div style="border: 1px solid black; padding: 2px; margin-bottom: 5px;">R04</div>  <div style="border: 1px solid black; padding: 2px; margin-top: 5px;">R05</div> </div> | <p>R26 COD. RA250541</p> <ul style="list-style-type: none"> KIT PROFILI A MURO CLOSING SIDE PROFILES KIT ANSCHLAGSPROFIL-SET KIT PROFILS COTE DE FERMETURE | <div style="display: flex; flex-direction: column; align-items: center;"> <div style="border: 1px solid black; padding: 2px; margin-bottom: 5px;">R04</div>  <div style="border: 1px solid black; padding: 2px; margin-top: 5px;">R05</div> </div> |
| <p>R27 COD. RA200284</p> <ul style="list-style-type: none"> PROFILO PVC PROFILE PVC PROFIL AUS PVC PROFIL PVC |  | | |



R28

COD. RA900377 KIT FERRAMENTA HARDWARE KIT EISENWAREN-KIT KIT QUINCAILLERIE

| | | | | | | | |
|---|---|---|--|---|--|---|--|
|  | <ul style="list-style-type: none"> TASSELLO Ø 6mm RAWPLUG Ø 6mm DÜBEL Ø 6mm BLOQUER Ø 6mm |  | <ul style="list-style-type: none"> VITE 4,2X32 TCC SCREW 4,2X32 TCC SCHRAUBE 4,2X32 TCC VIS 4,2X32 TCC |  | <ul style="list-style-type: none"> VITE TPSEI M6X14 SCREW TPSEI M6X14 SCHRAUBE TPSEI M6X14 VIS TPSEI M6X14 |  | <ul style="list-style-type: none"> VITE TCEI M4X12 SCREW TCEI M4X12 SCHRAUBE TCEI M4X12 VIS TCEI M4X12 |
| n°04 pz | | n°04 pz | | n°18 pz | | n°01 pz | |



Specificare sempre l'estensibilità, la finitura del profilo, del vetro ed il verso della parete doccia
 Please specify always extensibility, profile colour, glass type and opening version of the shower cubicle (R or L)
 Verstellbereich, Profilfarbe, Glasvariante und Anschlag der Duschkabine (RE o. LI) immer angeben
 Toujours spécifier l'extensibilité, la finition du profil, la finition du verre et la version de la paroi de douche (droite ou gauche)