

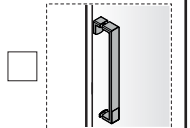
Trattamento protezione vetro
Shower Glass Protect
Glasschutzbehandlung
Traitement protection verre

SGP

TIMELESS

GSS

Maniglia G alternativa
Alternative G handle
Alternativer griff G
Poignée G alternatif



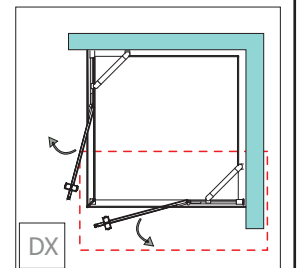
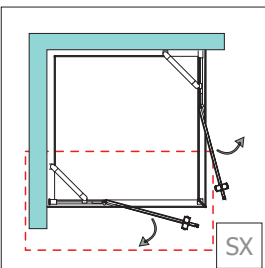
COD. RA900177

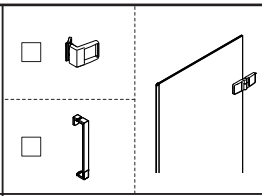
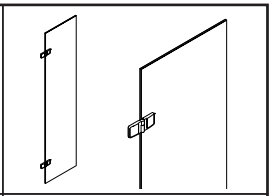
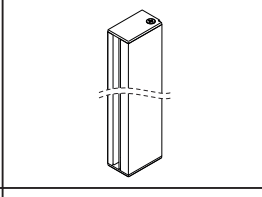
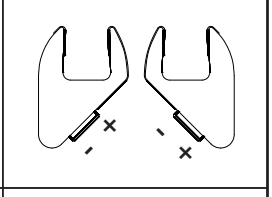
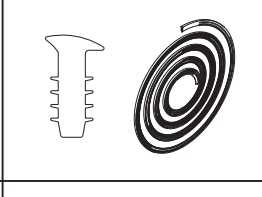
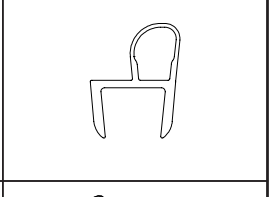
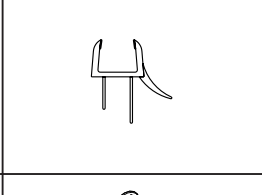
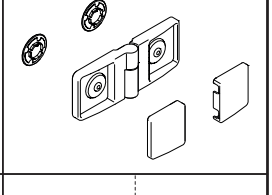
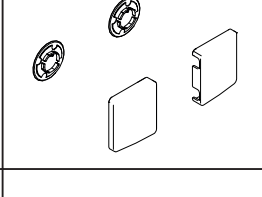
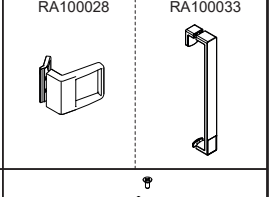
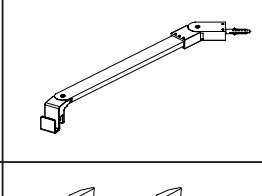
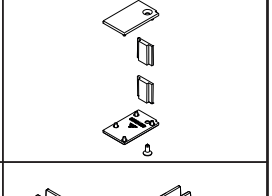
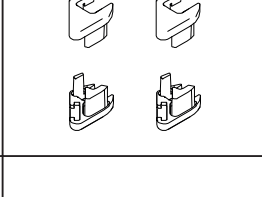
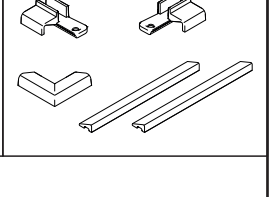
SF Sacchetto Ferramenta
Hardware pack
Rauchchrom
Sachet Quincailleries

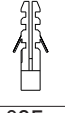




ESTENSIBILITA':	EXTENSIBILITY:	DEHNBARKEIT:	EXTENSIBILITE:
<input type="checkbox"/> 67,5-70	<input type="checkbox"/> 77,5-80	<input type="checkbox"/> 87,5-90	<input type="checkbox"/> 97,5-100
<input type="checkbox"/> F.M.			<input type="checkbox"/> 117,5-120

PROFILO:	PROFILE:	PROFIL:	PROFIL:
<input type="checkbox"/> Argento Luc/Silver Brill/Silber Glanz/Argent brillant	<input type="checkbox"/> Alublack	<input type="checkbox"/> RAL opaco/matt/matt-lackiert/mat	
<input type="checkbox"/> Metal	<input type="checkbox"/> Metal Brushed		

VETRO:	GLASS:	GLAS:	VERRE:
<input type="checkbox"/> Trasparente/Transparent	<input type="checkbox"/> Fascia/Band glass/Glas Band/Verre Bonde		
<input type="checkbox"/> Grigio Europa/Europe grey/Europa grau/gris europe	<input type="checkbox"/> Extra light		
<input type="checkbox"/> Satinato/Satin/Satiniert/Satiné	<input type="checkbox"/> Specchiato/Mirror effect/Verspiegelter Glas/Effet miroir		



<p>R01 COD. RA300253</p> <ul style="list-style-type: none"> IT ANTA BATTENTE EN WING DOOR DE SCHWENKTÜR FR PORTE BATTANTE 	<p>R02 COD. RA300254</p> <ul style="list-style-type: none"> IT VETRO FISSO EN FIXED SIDE DE FIXTEIL FR CÔTE FIXE 	
<p>R03 COD. RA250314</p> <ul style="list-style-type: none"> IT KIT PROFILO COMPENSATORE EN COMPENSATOR PROFILE KIT DE AUSGLEICHSPROFIL FR PROFIL DE COMPENSATION 	<p>R04 COD. RA250333</p> <ul style="list-style-type: none"> IT KIT PROFILI CALAMITATI EN PROFILES WITH MAGNET KIT DE PROFILES MIT MAGNET KIT FR KIT PROFILS AIMANTES 	
<p>R05 COD. RA200204</p> <ul style="list-style-type: none"> IT GUARNIZIONE TRASPARENTE (mt.2,1) EN TRANSPARENT GASKET (mt.2,1) DE TRANSPARENT DICHTUNG (mt.2,1) FR JOINT TRANSPARENT (mt.2,1) 	<p>R06 COD. RA200069</p> <ul style="list-style-type: none"> IT PROFILO PVC EN PROFILE PVC DE PROFIL AUS PVC FR PROFIL PVC 	
<p>R07 COD. RA200062</p> <ul style="list-style-type: none"> IT PROFILO PVC EN PROFILE PVC DE PROFIL AUS PVC FR PROFIL PVC 	<p>R08 COD. RA900102</p> <ul style="list-style-type: none"> IT SET CERNIERA EN HINGE SET DE ZANGE SET FR KIT CHARNIÈRE 	
<p>R09 COD. RA400153</p> <ul style="list-style-type: none"> IT KIT COVER EN COVER KIT DE STOPFEN-SET FR KIT CACHE 	<p>R10 COD. RA100028 / COD. RA100033</p> <ul style="list-style-type: none"> IT SET MANIGLIA EN HANDLES SET DE HANDGRIFF SET FR KIT POIGNÉE 	
<p>R11 COD. RA151404</p> <ul style="list-style-type: none"> IT BRACCIO "S" EN SUPPORT ARM "S" DE TRÄGERARM "S" FR BRAS DE SUPPORT "S" 	<p>R12 COD. RA400150</p> <ul style="list-style-type: none"> IT KIT TAPPI PROFILO EN COVER KIT DE STOPF KIT FR KIT CACHES PROFIL 	
<p>R13 COD. RA400165</p> <ul style="list-style-type: none"> IT KIT TAPPI PROFILO EN COVER KIT DE STOPF KIT FR KIT CACHES PROFIL 	<p>R14 COD. RA350093</p> <ul style="list-style-type: none"> IT KIT BORDINO SALVAGOCCIA EN DRIP CATCHER EDGE KIT DE TROPFENFÄNGER PROFIL KIT FR BAGUETTE D'ETANCHEITE 	
<p>R15 COD. RA200221</p> <ul style="list-style-type: none"> IT KIT GUARNIZIONI EN GASKET KIT DE DICHTUNG KIT FR KIT JOINTS 		<p>R05 + R05 + R06 + R06 + R07</p>

<p>R16 COD. RA900135 IT KIT FERRAMENTA EN HARDWARE KIT DE EISENWAREN-KIT FR KIT QUINCAILLERIE</p>			
 <ul style="list-style-type: none"> IT TASSELLO Ø 6mm EN RAWPLUG Ø 6mm DE DÜBEL Ø 6mm FR BLOQUER Ø 6mm <p>n°05 pz</p>	 <ul style="list-style-type: none"> IT RONDELLA IN METALLO EN METALLIC WASHER DE SCHEIBE AUS METALL FR RONDELLE METALLIQUE <p>n°05 pz</p>	 <ul style="list-style-type: none"> IT VITE TCC 4,2X32 EN SCREW TCC 4,2X32 DE SCHRAUBE TCC 4,2X32 FR VIS TCC 4,2X32 <p>n°05 pz</p>	 <ul style="list-style-type: none"> IT VITE TPSC 3,5X16 EN SCREW TPSC 3,5X16 DE SCHRAUBE TPSC 3,5X16 FR VIS TPSC 3,5X16 <p>n°02 pz</p>
 <ul style="list-style-type: none"> IT VITE TCC 4,2X50 EN SCREW TCC 4,2X50 DE SCHRAUBE TCC 4,2X50 FR VIS TCC 4,2X50 <p>n°04 pz</p>			



Specificare sempre l'estensibilità, la finitura del profilo, del vetro ed il verso della parete doccia
 Please specify always extensibility, profile colour, glass type and opening version of the shower cubicle (R or L)
 Verstellbereich, Profilfarbe, Glasvariante und Anschlag der Duschkabine (RE o. LI) immer angeben
 Toujours spécifier l'extensibilité, la finition du profil, la finition du verre et la version de la paroi de douche (droite ou gauche)